

Your Parkray dealer

PARKRAY 

Parkray Limited
Unit 6, Old Mill Industrial Estate, Stoke Canon, Devon EX5 4RJ
www.parkray-stoves.co.uk info@parkray.co.uk

Contents



FREESTANDING	
Consort 15	2
Consort 9, Slimline 9	4-7
Consort 4	8
Consort 5, Compact & Slimline	10 - 15
Consort 7	16
INSET STOVES	
Consort Inset 5 & 7	18
GAS STOVES	
Consort Gas 4 & 7	20-23
Cleanburn technology	24
& technical specifications	25-31
Parkray range features	32
Parkray range options	34

Gather the family for a cosy get-together.



Consort 15

Toasted marshmallows, flickering flames, and plenty of laughter – the ingredients for a truly memorable evening



Are you looking for a stove that can manage the demands of an extended family? The family-sized Consort 15 heats every inch of the largest room – whether it's packed with aunts and children, or just you stealing a moment of peace. And there's nothing quite like a real fire to make your house a home. This heat giant can even provide enough hot water for the family – just ask about our optional wraparound boiler. However hard it's working, the Consort 15 is kinder to the environment thanks to our unique 'Cleanburn' system. So you can enjoy an old-fashioned family get-together, the modern way.



You've worked hard enough today...



Consort 9

Choose a stove to handle all your household demands. The Consort 9 can warm your home, heat your water, and toast your crumpets



The Consort 9 is a real workhorse. It's designed to fit in most family fireplaces, maximising the heat output and warming your home from the bottom up. Like our other Consort models, it makes it easy for you to adjust the flow of heat: to toast your crumpets, open the door and bask in the warmth of open flames. Even at full capacity, the Consort 9's eco-friendly technology means it emits fewer gases into our atmosphere. If you're looking for a hot water option, ask about the wraparound boiler, which makes your stove even more efficient. In short, whatever you ask of your stove, the Consort 9 reaches expectations. So you can concentrate... on relaxing.



Slow down and take it easy...



Slimline 9

The Slimline 9 makes life a little easier. Stack it with logs and set it on 'slow burn' – it's ready when you are



The mid-sized Slimline 9 can be left to smoulder as you slumber, so it's ready to warm cold feet at dawn. Despite its elegant stature, this model can hold 20" logs, giving you just a little longer between refuelling. With clever Cleanburn technology, the Slimline 9 gives an approximate heat output of 6kW with a maximum of 7kW, whether you choose to burn wood or other approved fuel. And it requires virtually no attention in-between times: a hot airwash prevents carbon from forming on the inside of the glass. So there's nothing to clean and fewer logs to lug about – giving you more time to take it easy.



Baby, it's cold outside...



Consort 4

Shake the mud off your boots, come in and light a fire – this compact stove is perfect for intimate moments



Where space is tight, or you want to create an intimate atmosphere, the Consort 4 is simply perfect. This multi-fuel stove is small in stature, but big on heat. It fits into the smallest of spaces, becoming a real feature of any room. You may be surprised by the heat output from the Consort 4 once it gets going! We've packed a lot into this small stove: the airwash directs warmth over the inside of the door (keeping the glass clean), and our special 'Cleanburn' technology makes it as kind to the environment as it is to you. So you can pile up the logs without worrying about the atmosphere. As for romantic moments... plan for plenty of those, too.



There's a designer in the room...



Consort 5

The compelling Consort 5 has a sleek designer look. Stylish, neat and compact, it's available in three coloured finishes



This traditional iron stove has clean lines and modern features – like Cleanburn technology to deliver an efficient performance. Like a cool-touch handle that you can use to switch between wood and other fuels. And an approximate heat output of 4-5kW with a maximum of 5kW (which is hot, if you were wondering). This stylish model can also be customised to your liking. You've chosen the colours for your walls, woodwork and furniture – wouldn't it be nice to have some options when you're choosing your stove? The designer Consort 5 comes in three colour finishes. So tailor it to your taste, and await the compliments...



The timeless little black stove



Compact 5

The chic, unique Compact 5 is the perfect dinner-party guest, creating an enticing focus for any room in your home



Created without compromise, the Compact 5 is undeniably lovely. The clean lines and elegant design make it perfect for a modern setting. At just 347cm deep, this stove can be fitted in almost anywhere you need a little extra warmth – and a little extra sociability. Why 'without compromise'? Because the Compact 5 features all of our famous technologies: the 'Cleanburn' system to ensure ignition is prompt and efficient, a cool-touch riddling handle, and a hot airwash to keep the glass clean. All this, plus an approximate heat output of 4.5kW with a maximum of 5kW, makes the Compact 5 a very attractive proposition indeed...



Thought you couldn't fit one in?



Slimline 5

The Slimline 5 is a slender version of our popular Consort 5. So you can squeeze it in where space is tight



Though it's been downsized, the Slimline 5 is engineered with our usual excellence and all the usual features. It's built with Cleanburn – to ensure efficient ignition and less waste – plus a cool-touch riddling handle, easy-clean window, and multi-fuel capacity. The Slimline 5 has a slightly shallower fuel bed, so that it can be fitted in a smaller hearth (see p29 for full spec). And though she's small, she's fierce, with an approximate output of 4.5kW with a maximum of 5kW.



Take another look at your surroundings



Consort 7

When every choice you make impacts the world around you, it's important to heat your home in a way that's efficient and eco-kind



The striking Consort 7 attracts compliments - it's designed with lots of old-fashioned character. But that's where the similarity ends, because its emissions are much lower than those from traditional stoves. You can choose to burn sustainably-sourced logs, coal, or smokeless fuels - our unique technology guarantees a cleaner burn. How? Firstly, air jets ignite the gases which are released during combustion, so they burn away instead of flowing into the environment. In addition, our 'Cleanburn' system means that the heat given off by the fuel stays inside the stove for longer, being directed outwards rather than upwards. Your chimney stays cleaner, the environment stays healthier, and your home stays warmer - and that's all you could ask from a stove.



Contemporary country chic



Consort Inset 5 & 7

You don't need an open fireplace to recreate the modern country look. Our Inset stoves are designed to slide into a standard fireback



'Modern country' is all about blending old and new – battered leather sofas with polished floorboards, geometric lines with woollen throws. Our Inset 5 and 7 stoves fit in perfectly. Designed with 19th-century charm and 21st-century technology, they're beautifully at home anywhere. Choose according to size – the 7 (output 5kW) is a little larger than the 5 (output 4.5kW). Both are built with our award-winning styling and technology; a hot airwash keeps the glass clean, and a cool-touch handle allows easy and safe riddling. There's almost nothing old-fashioned about these models – apart from their charm...



Switch on to instant warmth...



Consort Gas 4

Come in, light it up, and start enjoying the Consort's heat. This gas stove, with convincing coal or log fuel, offers roaring flames on demand...



If you like the idea of an open stove, but you're not so keen on heading outdoors to fetch logs in the winter, take a look at the Consort Gas 4. With all the old-fashioned charm of our traditional models, but the convenience of ever-ready fuel, it's a very enticing alternative. It burns Natural Gas or LPG, with a max output of 3.7kW – and that's pretty hot for a compact model. This petite model is ideal for anyone who wants to enjoy a real, flickering fire – in a traditional setting – with all the modern conveniences.



Control the flames from your armchair.



Consort Gas 7

The Consort Gas 7 is supremely easy to use. Just pick up the remote, and you're set for a cosy night in



Kick off your shoes and settle in – you can adjust the Consort Gas 7 from your armchair. Open the doors for a better view of the realistic flames (or ask a passing visitor to do it for you). This beautiful, traditional stove runs on Natural Gas or LPG, offering a heat output of up to 4.8kW. The fuel bed is available in authentic-looking log or coal, making it difficult to tell the Consort 7 from a traditional model. But behind the traditional façade is a truly modern convenience, giving you the best of then and now.



Parkray cleanburn technology



Consort stoves incorporate the new Parkray Cleanburn technology. The term 'Cleanburn' means that the stoves are more eco-friendly and efficient than conventional stoves, contributing to a cleaner environment.

Cleanburn technology

With incredibly efficient burning of the fuel, this results in an increased heat output, less smoke and a cleaner environment see diagram above.

Exceptionally efficient

Due to the Parkray Cleanburn technology, all stoves in the Parkray range burn exceptionally efficiently and cleanly.

From wood to multi-fuel with a single movement

The integral grate can be changed from wood setting to multi-fuel, with the cold-handled riddling tool.

Safe and efficient overnight burning

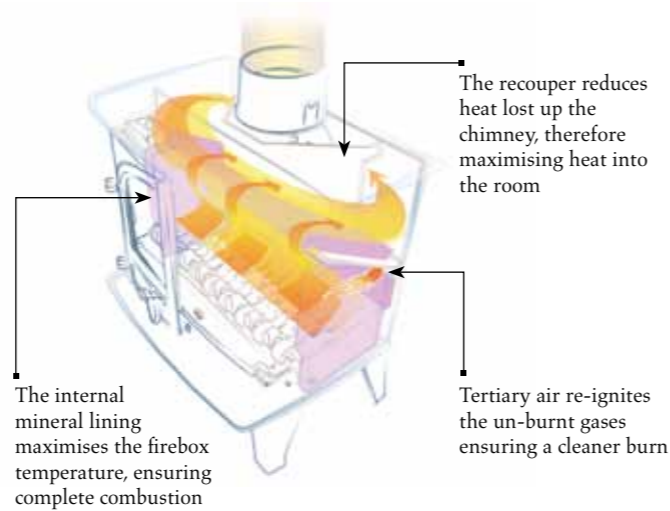
By reducing the air inflow to an absolute minimum, the fire will gently smoulder and remain alight throughout the night. When required, the fire will come to life by simply increasing the air flow into the stove.

Dust free, safe and easy riddling

By simply moving the riddling tool backwards and forwards, which moves the grate open and closed, the stove riddles safely with a minimum of effort. This is undertaken with the doors closed and is completely dust free

Interchangeable flue outlets

All the stoves in the Parkray range can be flued from either the top or the rear of the stove.



Easy access for chimney sweeping

The stoves feature a removable throat plate, giving full and easy access for sweeping the chimney.

Internal lining system

The new internal lining system maximises the firebox temperature, ensuring complete combustion

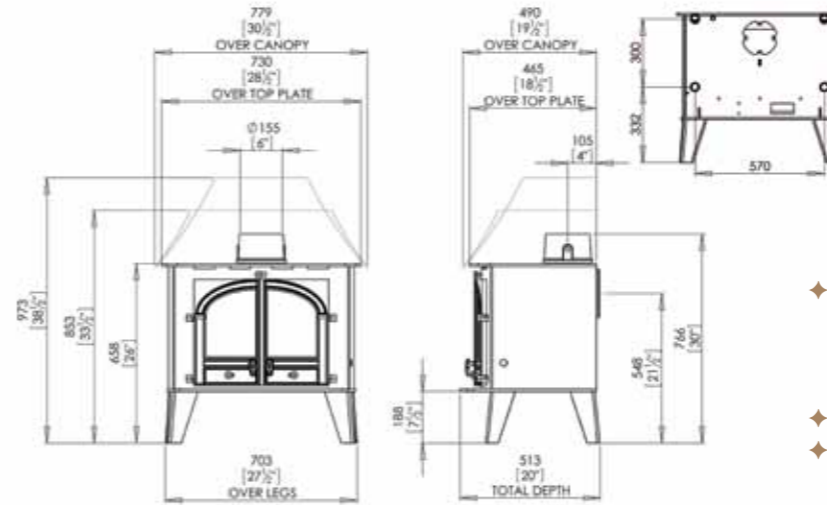
Cold-handled riddling tool

The cold handled riddling tool can be used for opening and closing the doors, riddling the grate, grate adjustment and easy removal of the ash pan.

Thermostat

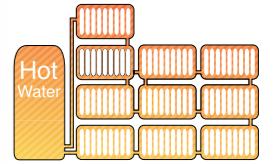
An optional thermostat is available on all central heating models

Consort 15 (Wraparound Boiler), page 2



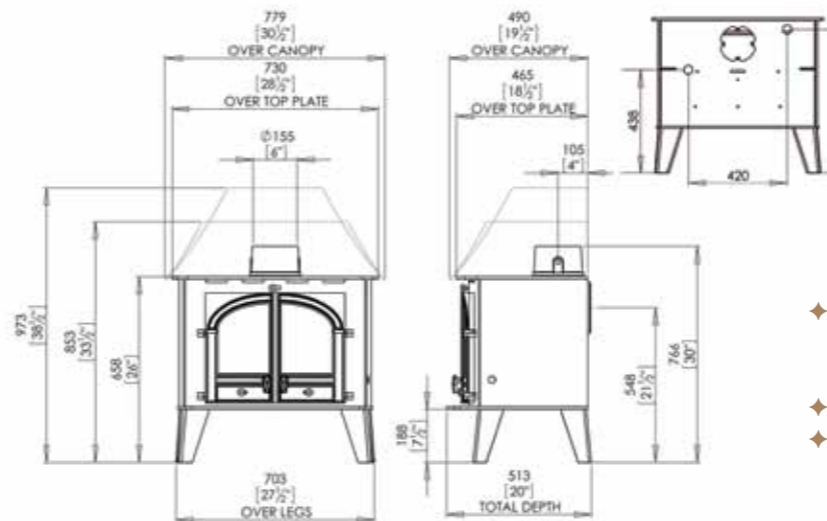
- ◆ CE tested and approved at 8.7kW output with a maximum of 13kW (boiler output)
- ◆ Cleanburn technology
- ◆ Exceptionally hot airwash

Boiler option 1 Consort 15 Wraparound Boiler 44,000 BTU's Output 3kW heat output to the room 10kW heat to the boiler *



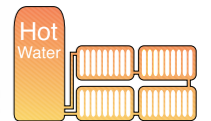
- ◆ Dust free, safe and easy riddling
- ◆ Multi-fuel grate system for burning wood and solid fuel

Consort 15 (Clip-in Boiler), page 2



- ◆ CE tested and approved at 11.5kW output with a maximum of 15kW
- ◆ Cleanburn technology
- ◆ Exceptionally hot airwash

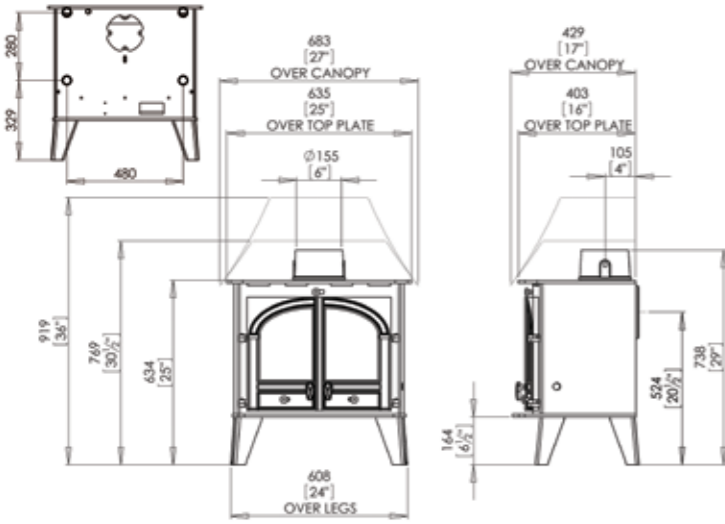
Boiler option 2 Consort 15 Clip-in Boiler 23,900 BTU's Output 4.5kW heat output to the room 7.7kW heat to the boiler *



- ◆ Dust free, safe and easy riddling
- ◆ Multi-fuel grate system for burning wood and solid fuel

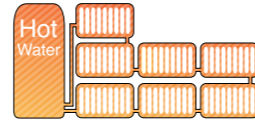
* Recommend a radiator is in the same room as the stove

Consort 9 (Wraparound Boiler), page 4



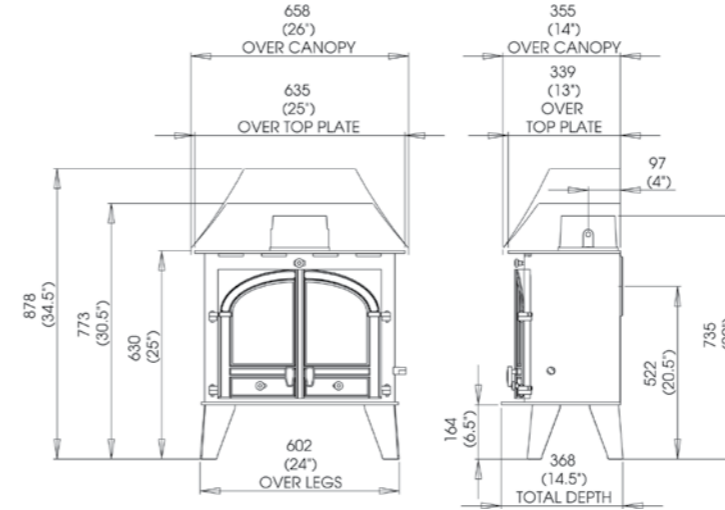
- ◆ CE tested and approved at 6kW output with a maximum of 8.5kW (boiler output)
- ◆ Cleanburn technology

Boiler option 1 Consort 9
Wraparound Boiler 29,000 BTU's
Output 2.5kW heat output to the room
8.5kW heat to the boiler *



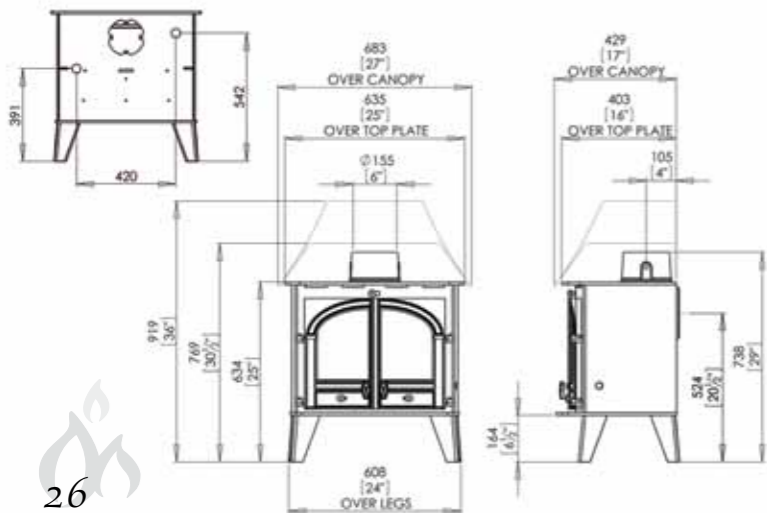
- ◆ Exceptionally hot airwash
- ◆ Dust free, safe and easy riddling
- ◆ Multi-fuel grate system for burning wood and solid fuel

Consort Slimline 9, page 6



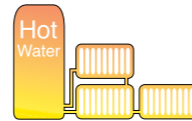
- ◆ Minimum heat output of 6kW with a maximum of 7kW
- ◆ Cleanburn technology
- ◆ Exceptionally hot airwash
- ◆ Dust free, safe and easy riddling
- ◆ Multi-fuel grate system for burning wood and solid fuel

Consort 9 (Clip-in Boiler), page 4



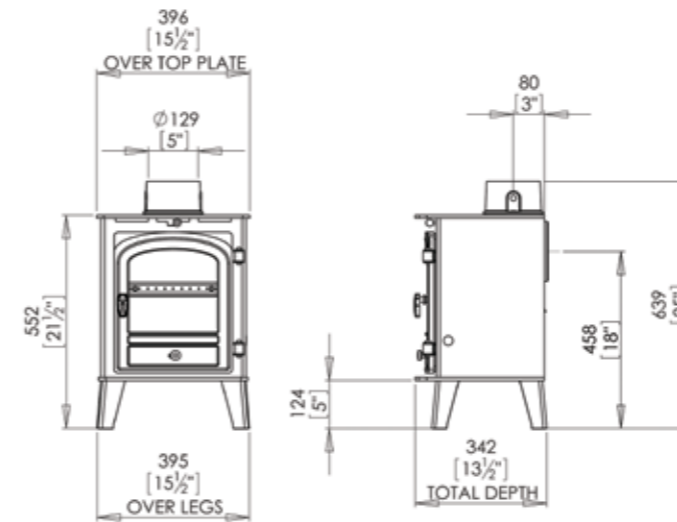
- ◆ CE tested and approved at 7.5kW - 9kW output with a maximum of 11kW
- ◆ Cleanburn technology
- ◆ Exceptionally hot airwash

Boiler option 2 Consort 9
Clip-in Boiler 18,750 BTU's Output
2.5kW heat output to the room
5.5kW heat to the boiler *



- ◆ Dust free, safe and easy riddling
- ◆ Multi-fuel grate system for burning wood and solid fuel

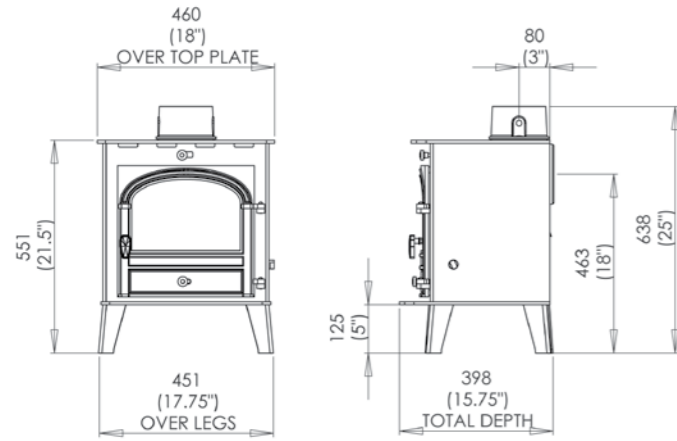
Consort 4, page 8



- ◆ CE tested and approved at 3 - 4.5kW with a maximum of 5kW
- ◆ Cleanburn technology
- ◆ Exceptionally hot airwash
- ◆ Dust free, safe and easy riddling
- ◆ Multi-fuel grate system for burning wood and solid fuel

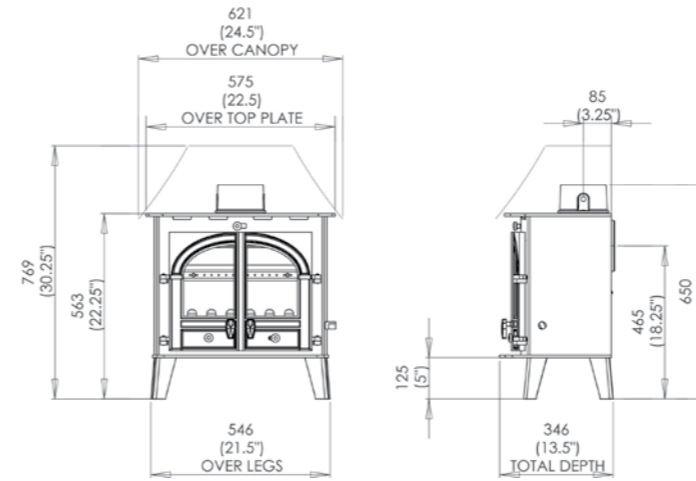
* Recommend a radiator is in the same room as the stove

Consort 5, page 10



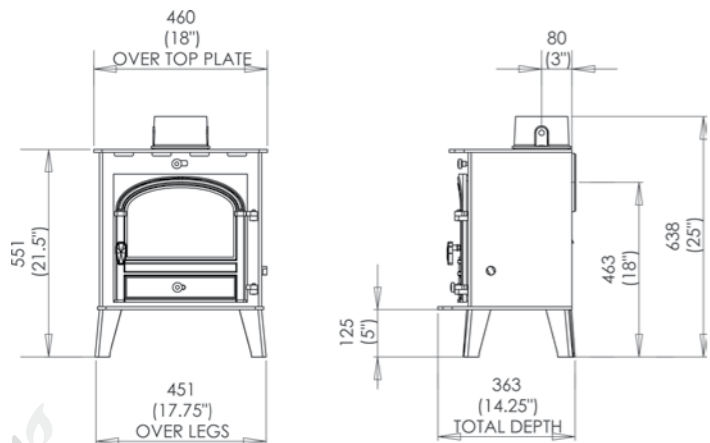
- ◆ Heat output of 4 - 5kW with a maximum of 5kW
- ◆ Cleanburn technology
- ◆ Exceptionally hot airwash
- ◆ Dust free, safe and easy riddling
- ◆ Multi-fuel grate system for burning wood and solid fuel

Slimline 5, page 14



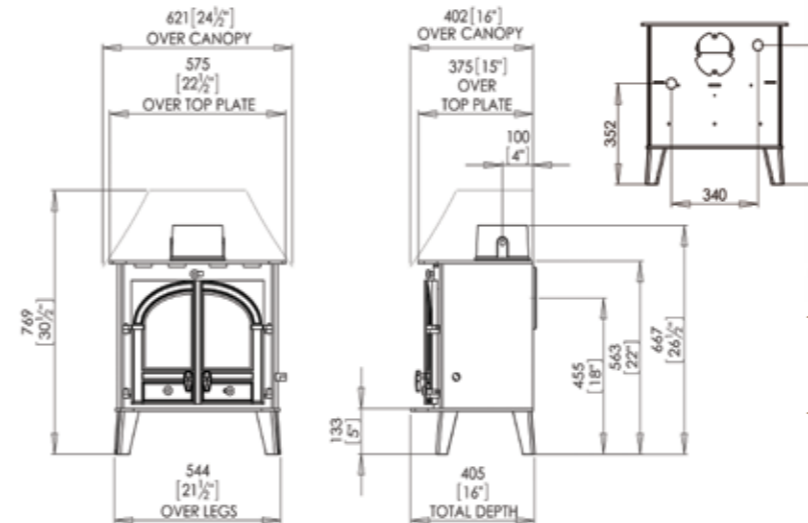
- ◆ Heat output of 4.5kW with a maximum of 5kW
- ◆ Cleanburn technology
- ◆ Exceptionally hot airwash
- ◆ Dust free, safe and easy riddling
- ◆ Multi-fuel grate system for burning wood and solid fuel
- ◆ Can accommodate logs up to 18"

Compact 5, page 12



- ◆ Heat output of 4kW with a maximum of 5kW
- ◆ Cleanburn technology
- ◆ Exceptionally hot airwash
- ◆ Dust free, safe and easy riddling
- ◆ Multi-fuel grate system for burning wood and solid fuel

Consort 7 (Clip-in Boiler), page 16



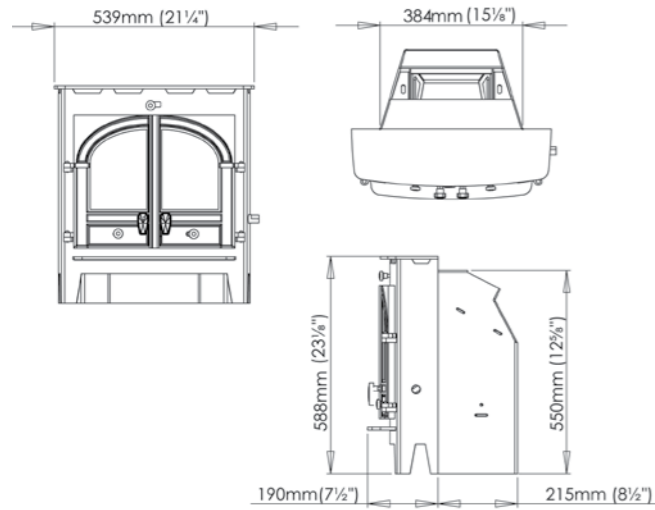
- ◆ CE tested and approved at 5.5kW - 6.5kW output with a maximum of 7kW
- ◆ Cleanburn technology
- ◆ Exceptionally hot airwash
- ◆ Dust free, safe and easy riddling
- ◆ Multi-fuel grate system for burning wood and solid fuel

Boiler option Consort 7
Clip-in Boiler 13,600 BTU's Output
dependent on fuel load *



* Recommend a radiator is in the same room as the stove

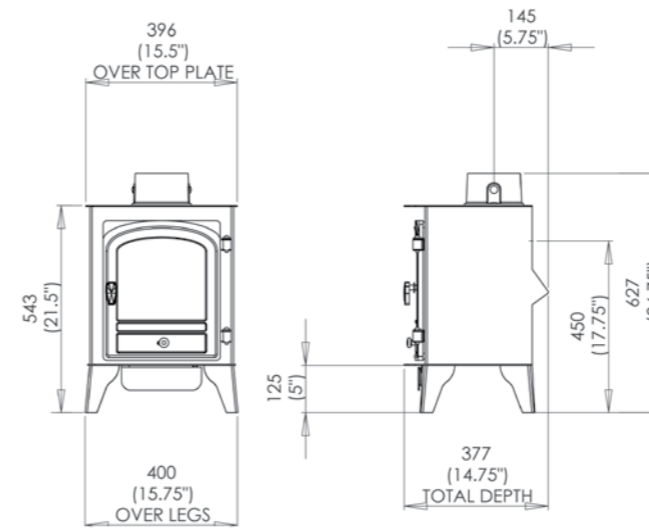
Inset 5, page 18



- ◆ Maximum heat output of 4.5kW
- ◆ Cleanburn technology
- ◆ Exceptionally hot airwash
- ◆ Dust free, safe and easy riddling

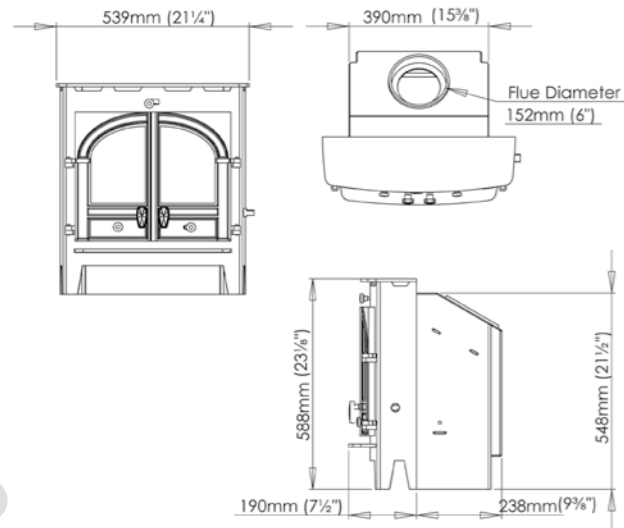
NB. Flue adaptors are available as an optional extra

Consort Gas 4, page 20



- ◆ Maximum heat input 4.8kW
- ◆ Maximum heat output 3.7kW
- ◆ Efficiency 75-78%

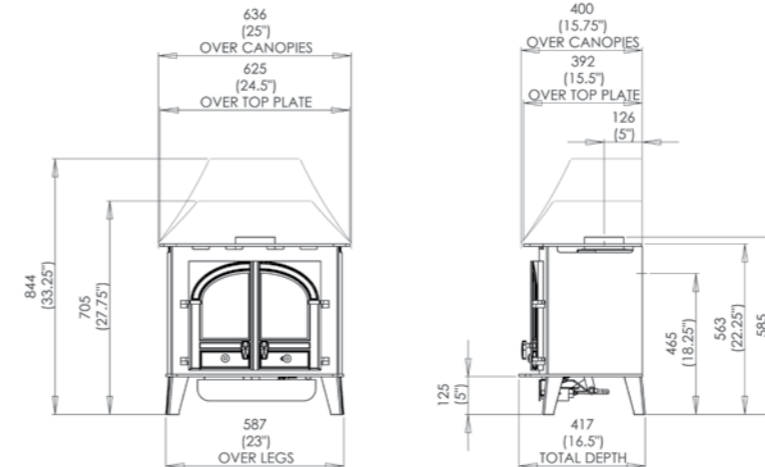
Inset 7, page 18



- ◆ Maximum heat output of 5kW
- ◆ Cleanburn technology
- ◆ Exceptionally hot airwash
- ◆ Dust free, safe and easy riddling

NB. Flue adaptors are available as an optional extra

Consort Gas 7, page 22

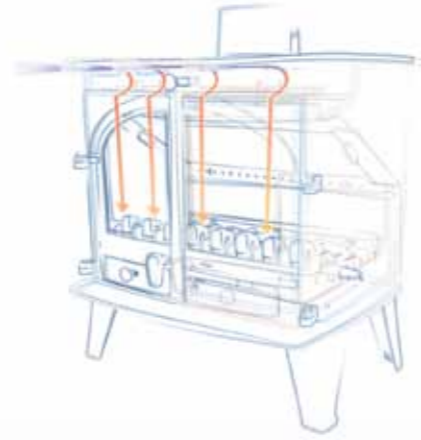


- ◆ Maximum heat input 6.5kW
- ◆ Maximum heat output 4.8kW
- ◆ Efficiency 73-77%

Hot Airwash

The airwash ensures the glass is kept clean

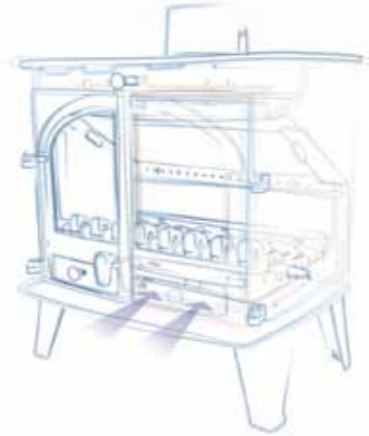
The airwash is achieved by air being drawn into the top of the stove and heated in the central air chamber before being directed down behind the glass door, creating a screen between the fire and the glass. Smoke or combustion particles do not come into contact with the glass, leaving it clean to see through.



Solid Fuel

Optimum solid fuel burning conditions

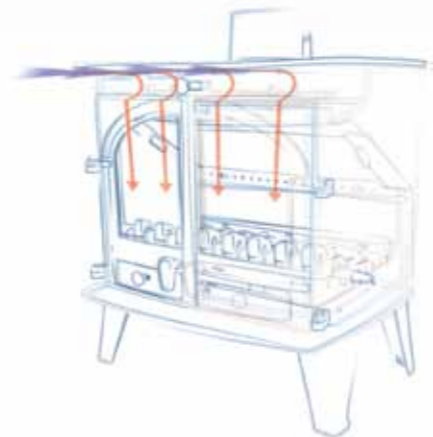
When burning coal and for easy lighting of the stove the grate is changed to the open position by a single turn of the handle. Air can then be directed under the open grate and into the heart of the fire - the optimum conditions for burning solid fuel.



Woodburning

Optimum woodburning conditions

For efficient woodburning the hot 'airwash' is directed down the stove door and into the heart of the wood fire, this ensures complete combustion which helps to keep the chimney clean. When the grate is in the closed position creating a flat base, this allows a deep bed of ash to build up - the optimum conditions for burning wood.



Parkray options

Your new stove is ready to be customised. Would you like double doors, or a colour to match your interior?

High or low canopy: these charming features enhance the traditional appearance of your stove, and also help heat to disperse evenly through the room. Single or double doors: While a single offers more viewing clarity, a double door offers a more traditional style.

Optional flue damper



Optional flue gather box



Optional flue damper and gather box: use the damper to reduce the air inflow and let your stove burn slowly overnight when burning wood. The flue gather channels smoke into the flue; check whether you have or need one.



Make it unique: choose a subtle, Cloudy Blue or Forest green finish for your stove.
(Colours shown may differ to actual shades.)



We would like to thank Essex Fireplaces for their provision of fireplaces within this catalogue.

Heat outputs are dependent on fuel load and installation parameters.

Overnight burning is dependent on fire box size, fuel load etc.

Parkray Ltd. has a policy of continuous product improvement and therefore reserves the right to change specifications and designs at any time without prior notice.

Parkray Ltd. strongly recommends that the suitability of any installation should firstly be agreed with a HETAS qualified installer or similar accredited competent professional, to ensure compliance with the recent changes to the Building Regulations.

Parkray Ltd. will not be held responsible for any losses, however arising, from inappropriate installations by unqualified or non-competent installers.

An inappropriate installation may also invalidate claims made under a manufacturer's warranty or guarantee.